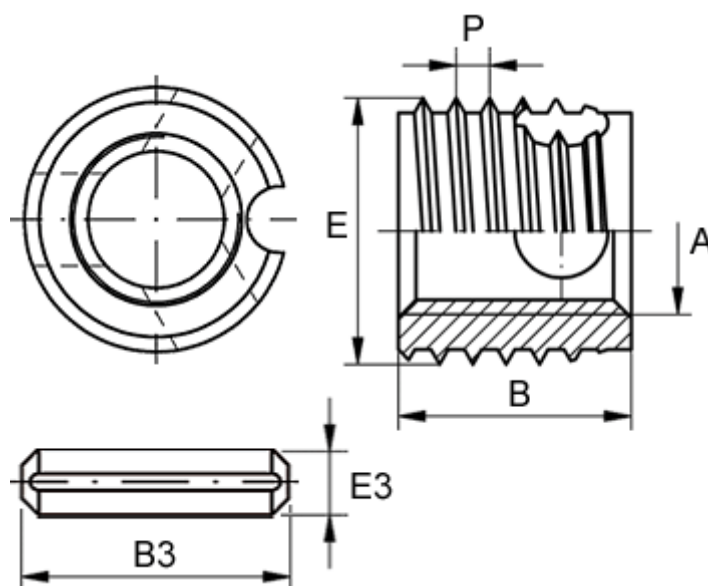


Article number: 12318000120100
Description: KLEE-coil 318 000 120.100
M12 Unhardened steel slotted pin

Measures



| | |
|---------------------------|-------------------|
| Female thread A | = M12 |
| Length B | = 22 |
| Male thread E | = 16.0 |
| Min hole depth blind hole | = 26 |
| Slotted pin B3 | = 16 |
| Slotted pin E3 | = 2 |
| Thread pitch P | = 1.75 |
| Type | = 318 000 120 ... |